



Canadian Distributor
 Special Needs Computers
 T: 1-877-724-4922
 E: sales@specialneedscomputers.ca

WINSTON WORKSTATION®

**Energizing your body.
 Inspiring your mind.**

Graphic design studios, architecture firms, and other design companies using iMacs can easily incorporate Winston Workstation for Apple iMac into their offices, converting any desk into a healthy sit-stand workstation. Work healthier without sacrificing Apple-specific programs or interface.



FEATURES

- Clean, white finish to complement the iMac.
- Designed to accommodate standing work without the distraction of unwanted movement.
- Large surface and convenient storage tray allow you to bring all necessities with you when you stand.
- Retrofit your existing desk into a healthy workspace with three easy mounting options: freestanding, desk clamp or thru mount.
- Features a 17" range of vertical height adjustment and a locking cylinder to keep the workstation in place. No manual adjustment needed.
- Cable clips in the column and beam keep the cables organized and out of the way.
- Winston is assembled in the USA using components created through a green manufacturing process.

BASE MODEL FOR iMAC STAND

WNST-APL-1	Supports 10 - 26 lbs (4.5 - 11.8 kg)
-------------------	--------------------------------------

To purchase iMac Stand as shown, order Winston base unit and the iMac Stand accessory.

MODELS FOR iMAC VESA

WNST-APL-1	Supports 10 - 26 lbs (4.5 - 11.8 kg)
WNST-APL-2	Supports 15 - 36 lbs (6.8 - 16.3 kg)

ACCESSORIES

8502	Apple iMac Stand
8472	Clamp Mount
8485	Thru Mount

FINISHES

FLAT WHITE | color code: **248**

SIT-STAND WORKSTATIONS



Clean, white finish to complement the iMac.



Comes with secure location to incorporate the iMac stand.



Including standing into your day, feeling healthy and energized.



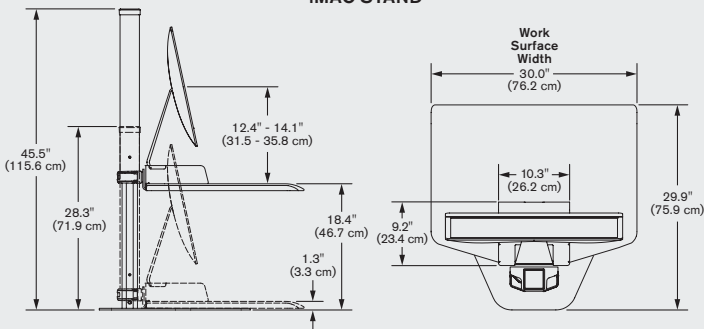
Work surface large enough to hold all necessary work tools.



Available in single or dual configurations for VESA Apple iMac.

CAPABILITIES

iMAC STAND



iMAC VESA

