

upCentric®
3-LEG

Sit down. Stand up.
A healthy way to work.



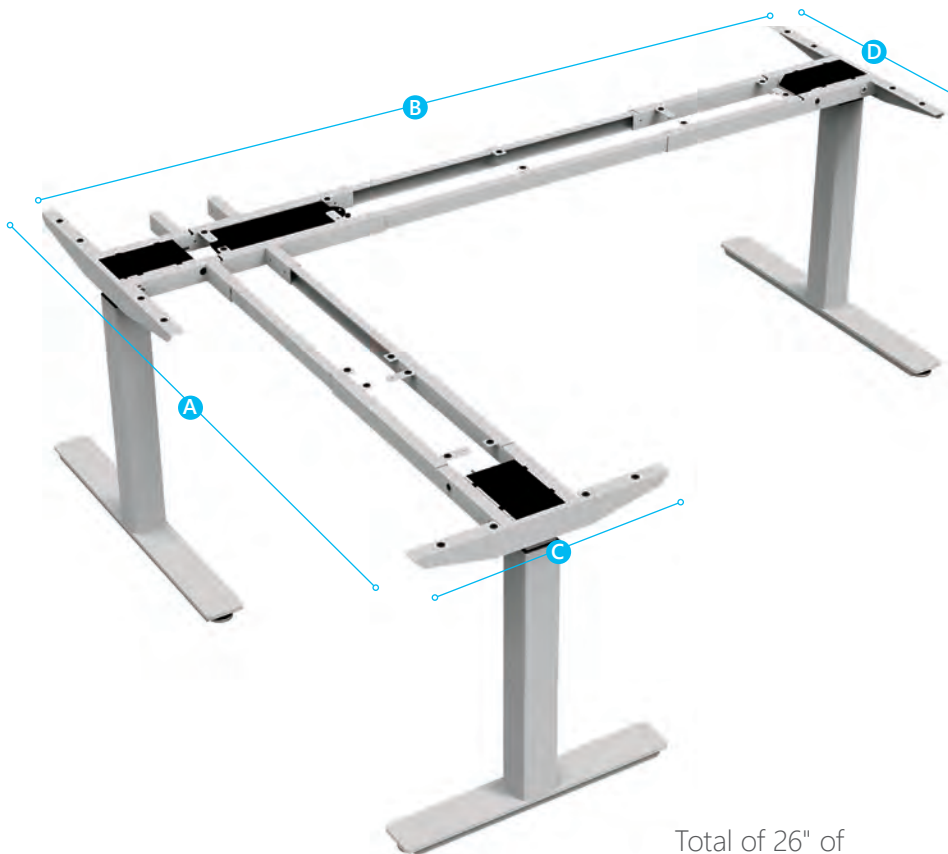
ergoCentric
ergocentric.com

Sturdy design. Easy to assemble. Affordable solution.

The upCentric™ height adjustable table is a high quality, durable steel frame with a large height range meeting BIFMA-GA-2013 standards. This allows users to alternate between seated and standing positions, thereby reducing backaches, pains, stress, tension and improves circulation.

Moving the table is intuitive with the easy-to-use up/down control with four position memory. The quiet motors housed in each of the table's legs ensure a quick, smooth transition in positions.

The sturdy upCentric frame accommodates a variety of different table top sizes to make retrofitting the table for new users and areas very economical. The crossbar-free design provides optimal knee clearance and space for storage.



Total of 26" of height adjustability

Specifications

Frame Dimensions

- Height range: 23.5" – 50"
- Width range (A): 42"– 72"
- Width range (B): 46"– 77"
- Frame depth (C&D): 22" (20")*

Height Adjustment Controls

- Digital height display
- 4 position memory

Frame

- Sturdy steel construction
- Durable black or silver powder coat finish

Travel Speed

- 1.6" per second

Energy

- Standby power draw: 0.06W
- Max power draw: 30W
- Sound level: 39dB

Weight Capacity

- Up to 420 lbs

Additional Options

- Available as frame only or with tabletop
- Accommodates table tops from 42" x 48" to 84" x 96"

Power Cord Length

- 2m

Certifications

- BIFMA-G1-2013
- BIFMA x5.5
- CSA/UL

Warranty

5 years

- Metal table frame components
- Frame motor and electrical components

1 year

- Tabletops

*Refers to the depth of bracket which tabletop is mounted to

ph: 1 866 GET ERGO | 905 696-6800
fx: 1 800 848-5190 | 905 696-0899
em: service@ergocentric.com

Special Needs Computers

T: 877-724-4922

F: 877-724-9996

E: sales@specialneedscomputers.ca

ergoCentric[®]
ergocentric.com