

# ACTIVATE SIT-STAND WORKSTATION



Special Needs Computers  
- Workplace Ergonomics & Assistive Technology

T: 1-877-724-4922

W: [www.specialneedscomputers.ca](http://www.specialneedscomputers.ca)

E: [sales@specialneedscomputers.ca](mailto:sales@specialneedscomputers.ca)

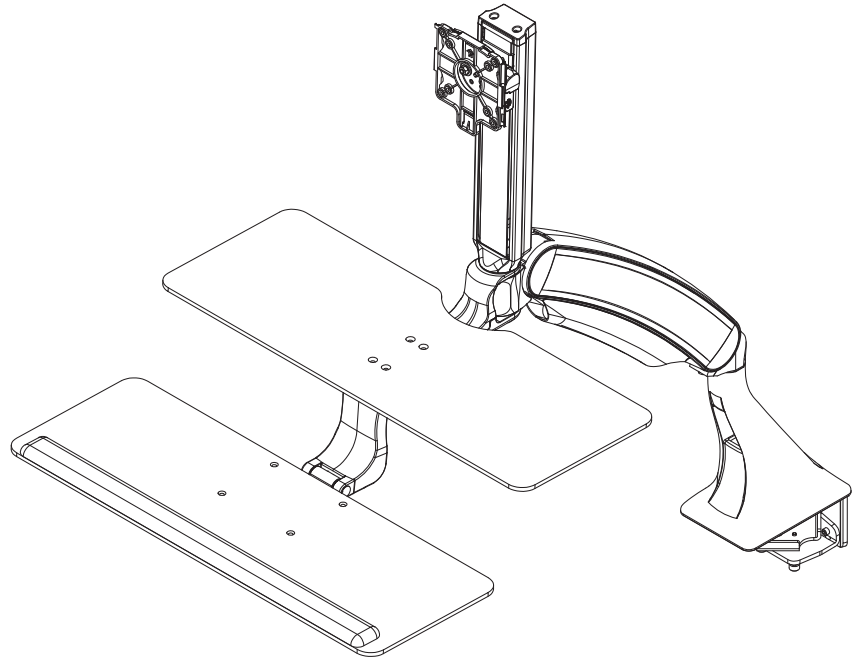
# ACTIVATE

## Sit-Stand Workstation

US List Prices - Effective December 15, 2015

With Activate, any workstation environment can be sit-stand. Activate is rear-mounted, fully featured and complies with HFES/ BIFMA height adjustment standards.

- 22" height adjustment
- Effortless 3-dimensional arm movement
- 9.5" of independent monitor height adjustment
- 3.5" of independent keyboard tray height adjustment
- 1.5" of keyboard tray focal adjustment
- 10.5" deep x 28" wide worksurface
- 10" deep x 28" wide keyboard platform with 26" wide removable palm rest
- +10° to -15° keyboard platform tilt with easy knob adjustment
- Keyboard platform folds up 90° for storage
- Monitor pans 180° left to right, tilts 45°, rotates portrait to landscape
- Quick attach VESA plates included
- Maximum load 23 lbs. (19 lbs. for Dual Monitors)
- Integrated cable management system
- Clamp and grommet mounts included
- Base is reversible to install on a 24" or 30" deep worksurface
- 10 year warranty



Product Code	Description	Mount	Color	Maximum Load*	Carton Weight and Dimesnions	List Price
ACTIVATE-1-C/G-BK	For Single Monitor	Clamp/Grommet	Black	23 lbs.	47 lbs. 35" L x 25" W x 8" H	\$1150
ACTIVATE-2-C/G-BK	For Dual Monitors	Clamp/Grommet	Black	19 lbs.	51 lbs. 35" L x 25" W x 8" H	\$1300
ACTIVATE-DUALBAR-BK	Single to Dual Adapter		Black		6 lbs. 30" L x 8" W x 5" H	\$150

\*Maximum load includes the weight of the monitor, keyboard and mouse, and any additional weight added to the worksurface. For the single monitor arm, maximum monitor weight is 20 lbs.. For the dual monitor arm, maximum monitor weight is 8 lbs. per monitor and maximum monitor size is 22" horizontal width.

# ACTIVATE

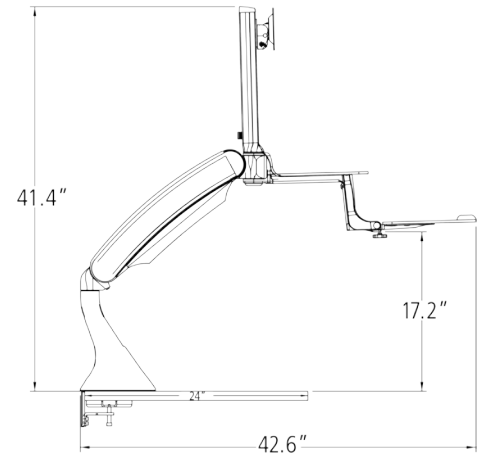
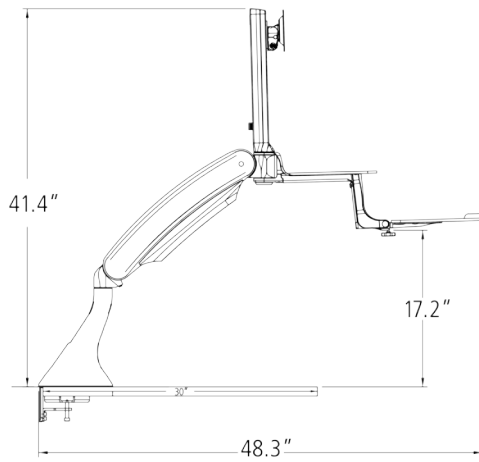
## 30" DEEP DESK

INSTALL THE BASE FORWARD FACING

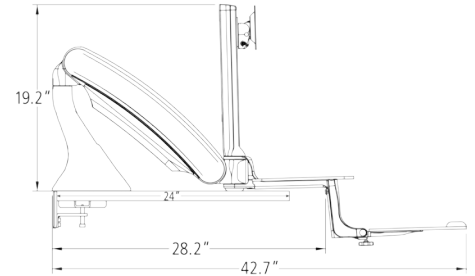
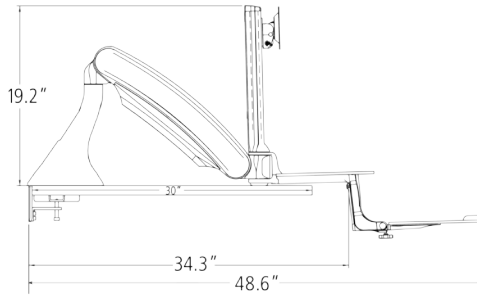
## 24" DEEP DESK

INSTALL THE BASE REAR FACING

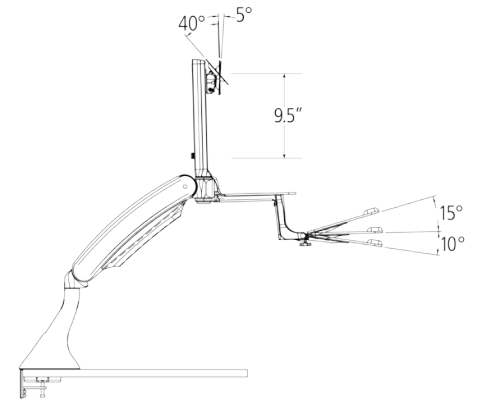
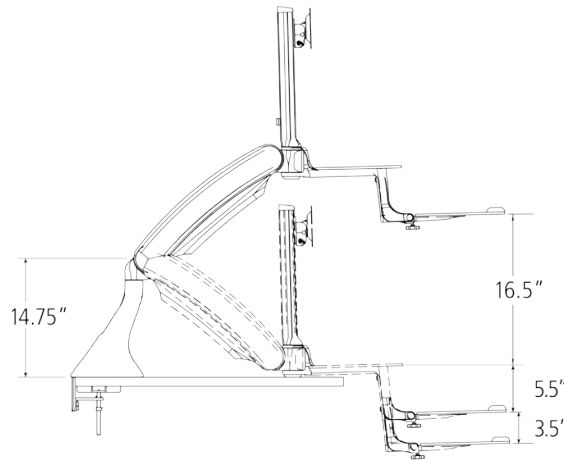
MAXIMUM HEIGHT  
STANDING



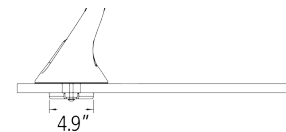
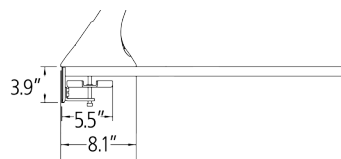
MINIMUM HEIGHT  
SITTING



COMMON  
SPECIFICATIONS



DESK  
MOUNTS



### Clamp Mount

Fits surfaces 0.75" - 2.5" thick. Clamp is a two-piece, front-fastening to install in an existing workstation (requires 3/8" clearance between desk and panel or wall).

### Grommet/Bolt-Through Mount

Fits surfaces 0.75" - 2.5". Uses a 3/8" diameter bolt and a 4.9" x 4.9" clamping plate.